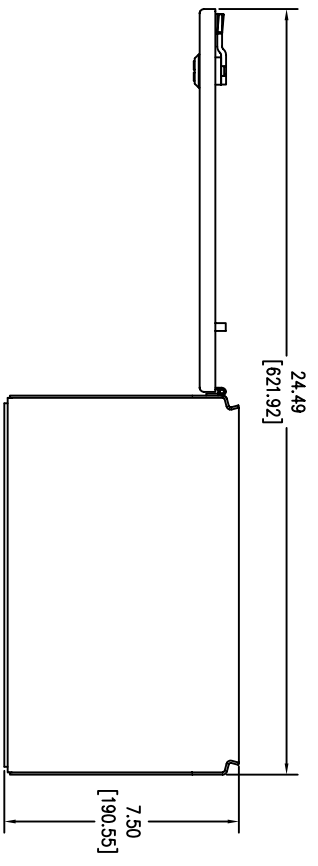
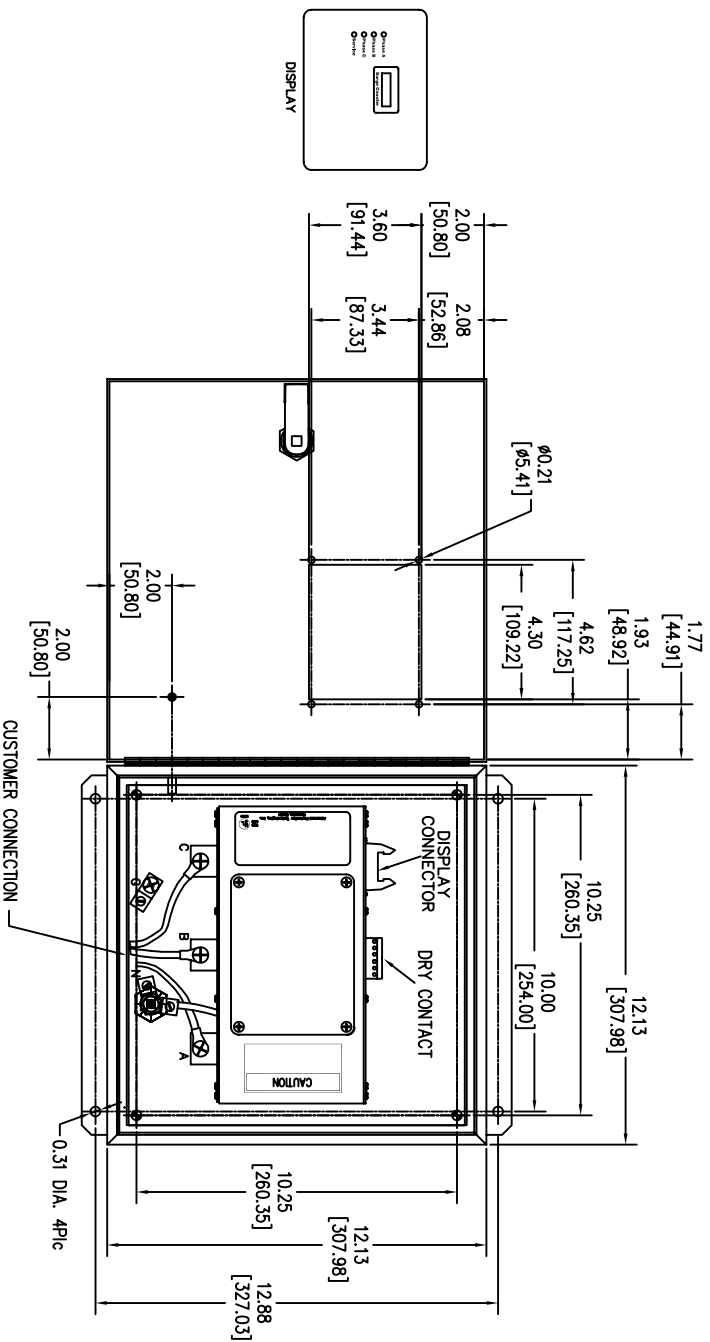


**SURGE PROTECTIVE DEVICE (SPD)  
WEIGHTS & DIMENSIONS  
NEMA RATING: 1/12/3R/4**

REV.	BY	DATE	APPROVED



**ENCLOSURE SPECS.**  
 DESC: ENCLOSURE, HINGED  
 DIM: 12"H x 12"W x 7"D  
 MAT: CARBON STEEL, 14 GAUGE  
 FINISH: POWDERCOAT ANSI 61 GRAY  
 NEMA RATING: 1/12/3R/4  
 DEVICE WEIGHT: 21.70LBS. (9.84KG.)

ELECTRONIC COPY IS UNCONTROLLED WHEN PRINTED. ALWAYS  
 REFER TO LATEST REVISION IN USE.

MATERIAL:		FINISH:	
SPECIFICATION:		SPECIFICATION:	
PRODUCT: XA Series MANUFACTURER: 14 DRINGERS DATE: 1/24/08 APPROVAL: [Signature] STATUS:	SURGE PROTECTION EQUIPMENT ADVANCED PROTECTION TECHNOLOGIES CLEMATON, NJ, USA 34620	PRODUCT: XA SERIES NEMA RATING: 100K-300K NEMA RATING: 1/12/3R/4	DATE: 1/24/08 SHEET NO.: 430-TEXA300-123RM REV: 1